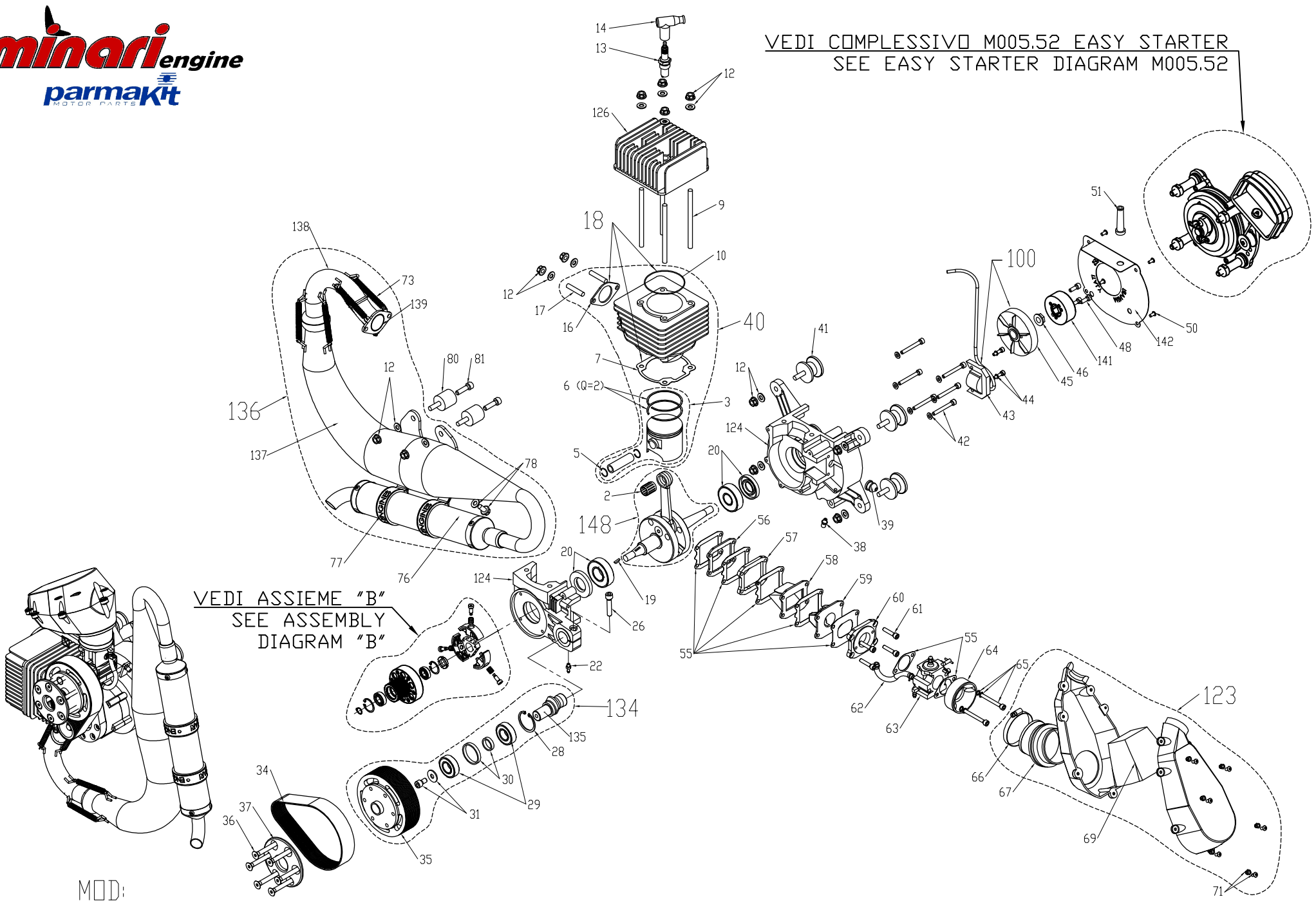
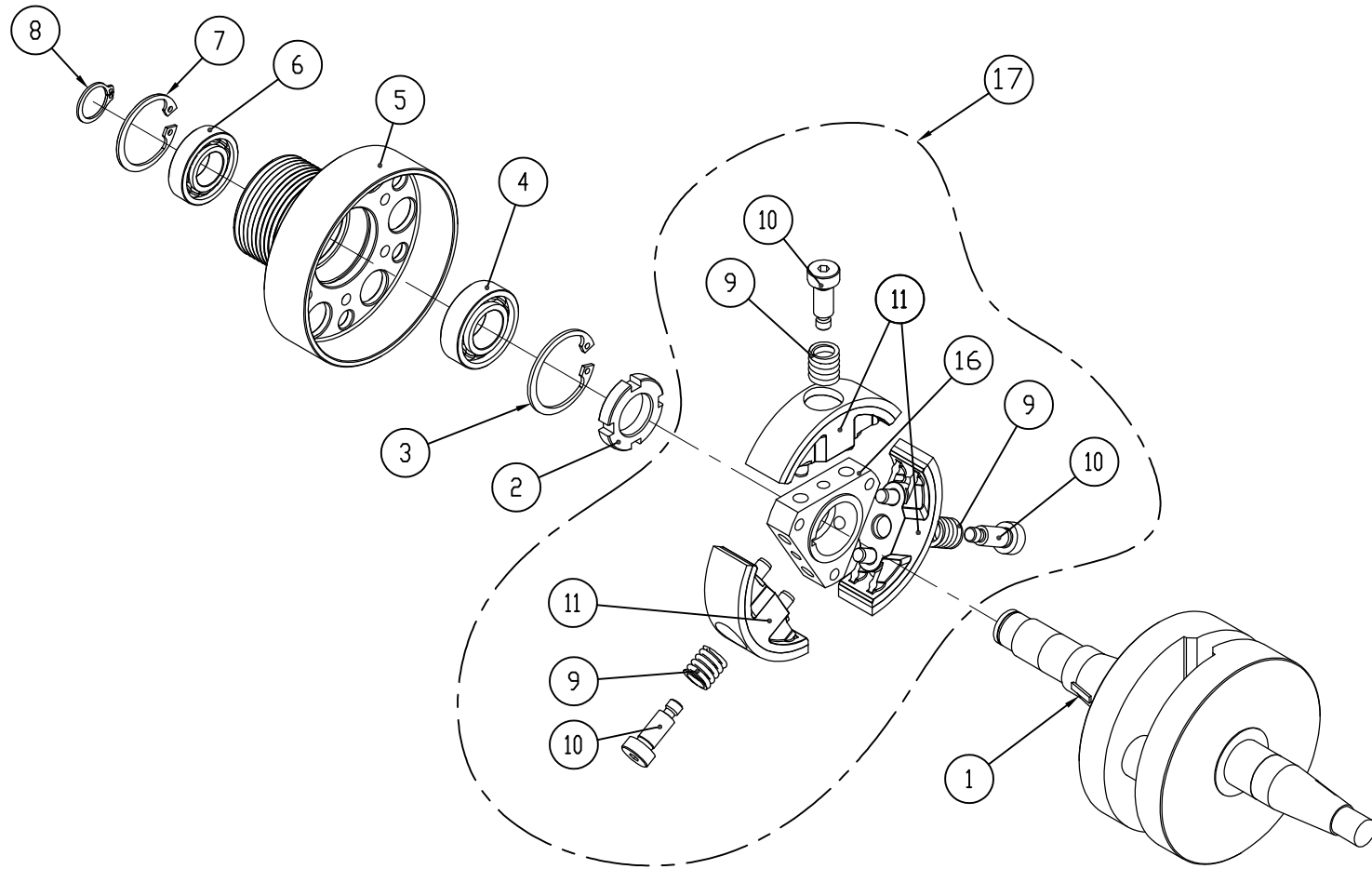


VEDI COMPLESSIVO M005.52 EASY STARTER
SEE EASY STARTER DIAGRAM M005.52



MOD:

-F1-M9-CL-F CORSA LUNGA 200cc Motore a 90°, con frizione e avviamento manuale /
90° engine, with clutch and manual starter



| N° | Cod. | Description | Q.tà |
|----|----------|--|------|
| 1 | N001.76 | CLUTCH KEY | 1 |
| 2 | N018.86 | CLUTCH CASTLE NUT | 1 |
| 3 | N003.89 | SEEGER UNI 7437-35 | 1 |
| 4 | N003.26 | BEARING SKF 6003 | 1 |
| 5 | M002.21 | CLUTCH BELL-PULLEY | 1 |
| 6 | N004.26 | BEARING SKF 16002 | 1 |
| 7 | N002.89 | SEEGER UNI 7437-32 | 1 |
| 8 | N004.89 | SEEGER UNI 7435-15 | 1 |
| 9 | 57012.18 | SPRING | 3 |
| 10 | N019.86 | BOLT M6x16 | 3 |
| 11 | N005.21 | CLUTCH SHOES | 3 |
| 16 | N003.21 | HOLDER CLUTCH SHOES | 1 |
| 17 | N010.21 | COMPLETE CLUTCH ASSEMBLED - MALUAL VERSION | 1 |

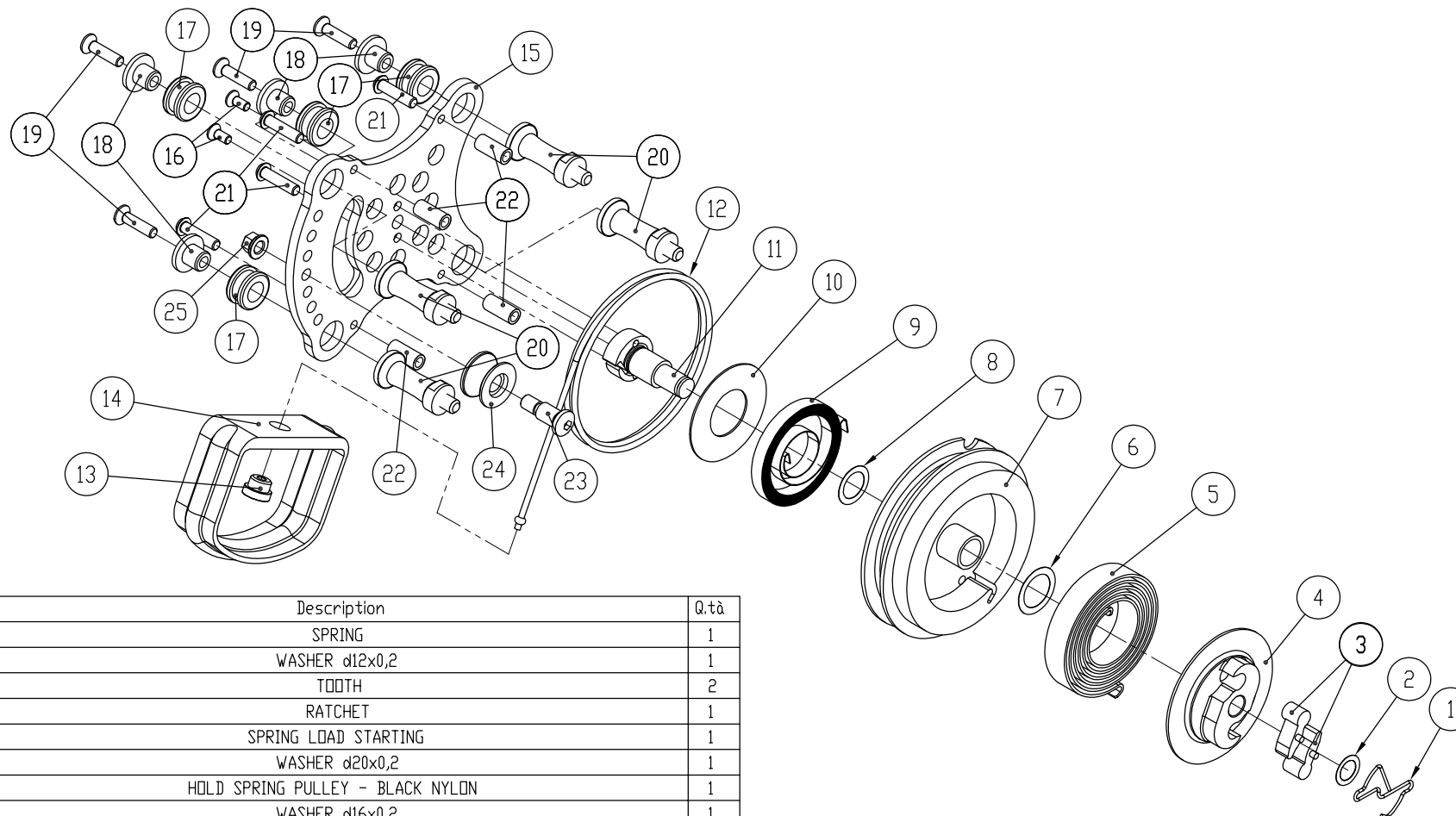

 DISEGNI DI PROPRIETÀ
 THIS DRAWING IS PROPERTY OF PARMAKIT AND SHALL NOT BE COPIED IN ANY WAY WITHOUT THE WRITTEN AUTHORISATION OF THE COMPANY

A TERMINI DI LEGGE È VIETATO RIPRODURRE O COMUNICARE A TERZI IL CONTENUTO DEL PRESENTE DISEGNO



Strada Antolini, 18/C 43044 Lemignano di Collecchio - Parma - Italia
 tel. +39.0521.303413 - fax +39.0521.543379
 E mail: info@parmakit.com - www.parmakit.com

| NAME | SIGNATURE | DATE | DESCRIPTION | TITLE: |
|----------|-----------|----------|-------------|--|
| DRAWN | | 05-06-19 | | EXPANDED DIAGRAM CLUTCH F1 MANUAL STARTER |
| VERIFIED | | | | |
| APPROVED | | | QUANTITY: | N. DRAW |
| DONE | | | MATERIALE: | |
| QUALITY | | | WEIGHT: _ | ASSEMBLY "B" A3 |
| | | | SCALE: 02 | FIGLIO 1 DI 1 |



| N° | Cod. | Description | Q.tà |
|----|----------------|----------------------------------|------|
| 1 | N018.98 | SPRING | 1 |
| 2 | R/SP.12x16x0,2 | WASHER d12x0,2 | 1 |
| 3 | N017.98 | TOOTH | 2 |
| 4 | N009.19 | RATCHET | 1 |
| 5 | N004.13 | SPRING LOAD STARTING | 1 |
| 6 | R/SP.20x28x0,2 | WASHER d20x0,2 | 1 |
| 7 | N006.19 | HOLD SPRING PULLEY - BLACK NYLON | 1 |
| 8 | R/SP.16x22x0,2 | WASHER d16x0,2 | 1 |
| 9 | M001.13/SC | SPRING | 1 |
| 10 | N012.98 | PVC SPACER | 1 |
| 11 | N015.98 | SPRING HOOK | 1 |
| 12 | N004.79 | ROPE | 1 |
| 13 | N016.98 | GRIP NUT | 1 |
| 14 | M003.52 | STARTER GRIP | 1 |
| 15 | N017.96 | EASY STARTER 2 SUPPORT | 1 |
| 16 | N011.86 | BOLT M5x12 | 2 |
| 17 | N003.47 | SILENT BLOCK | 4 |
| 18 | N023.98 | BOLT SPACER | 4 |
| 19 | N021.98 | BOLT M6x25 | 4 |
| 20 | N007.98 | SPACER | 4 |
| 21 | N022.98 | BOLT M6x25 | 4 |
| 22 | N006.41 | RUBBER TUBE | 4 |
| 23 | N017.86 | BOLT PULLEY EASY STARTER | 1 |
| 24 | N008.98 | DRIVE PULLEY EASY STARTER | 1 |
| 25 | N020.98 | NUT PULLEY EASY STARTER | 1 |


 DISEGNO DI PROPRIETA'
 THIS DRAWING IS PROPERTY OF PARMAKIT AND SHALL NOT BE COPIED IN ANY WAY WITHOUT THE WRITTEN AUTHORISATION OF THE COMPANY

A TERMINI DI LEGGE E' VIETATO RIPRODURRE O COMUNICARE A TERZI IL CONTENUTO DEL PRESENTE DISEGNO
 WITHOUT THE WRITTEN AUTHORISATION OF THE COMPANY



Strada Antolini, 18/C 43044 Lemignano di Collecchio - Parma - Italia
 tel. +39.0521.303413 - fax +39.0521.543379
 E mail: info@parmakit.com - www.parmakit.com

| NAME | SIGNATURE | DATE | DESCRIPTION | TITLE |
|----------|-----------|----------|-------------|---|
| DRAWN | | 05-06-19 | | EXPANDED DIAGRAM EASY STARTER S WITH PLATE |
| VERIFIED | | | QUANTITY: | |
| APPROVED | | | MATERIAL: | |
| DONE | | | N. DRAW | |
| QUALITY | | | WEIGHT: _ | M005.52 |
| | | | SCALE:02:5 | A3 |
| | | | | FOGLIO 1 DI 1 |